

# ABOUT US – OR WHAT DOES **WE** STAND FOR!

**WE** represents competence for over 10 years, **WE** is thinking ahead, for the ongoing development of a vision and the improvement of your own know-how with a strong team. **WE** are pioneers with a vision achieving progress together with our customers, staff and partners.

**KHL**  
KHL Interior GmbH

**WE**  
WE Kunststoff-Technik GmbH



**OUR ADVANTAGES ARE CLEAR. WE ARE LOOKING FORWARD TO HEAR ABOUT YOUR PROJECTS.**

**WE**

**WE Kunststoff-Technik GmbH**

Kastanienallee 3 - 5  
D-26524 Hage

Phone +49 4931 97 00-0  
Fax +49 4931 97 01 23

info@we-kunststofftechnik.de  
www.we-kunststofftechnik.de

**KHL**

**KHL Interior GmbH**

Hatzfelderstraße 161  
D-42281 Wuppertal

Telefon +49 0202 261 559 -0  
Telefax +49 0202 261 559 -23

info@khl-rs.de  
www.khl-rs.de

WE SHAPE YOUR IDEAS.

WE 

WE Kunststoff-Technik GmbH

KHL Interior GmbH

TOOL MANUFACTURING  
**INJECTION  
MOLDING**  
**ASSEMBLY**  
CABLE ASSEMBLY  
LAMINATIONS



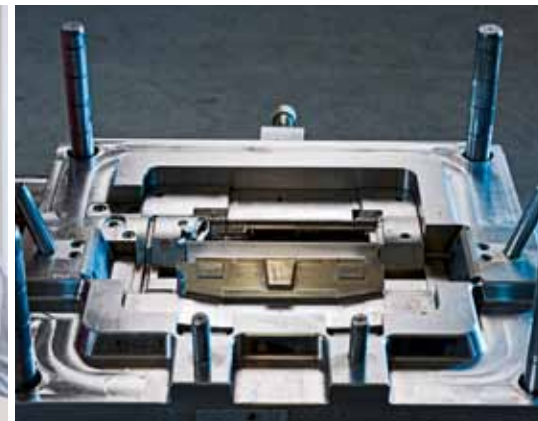
# EXPERTISE

## We offer:

- Individually manufactured plastic products, system components & high-quality interior parts
- A special degree of individuality and a high level of vertical integration
- Speed and flexibility through our established logistics partnerships
- Expertise and experience in complex structural component assembly
- Outstanding customer service beyond the manufacturing process
- Holistic solutions, as our motto is: Let's create the future together!

## Conclusion

We are your partner from product idea and development through manufacturing to the assembly of complete units. We offer a smooth purchasing process including all individual components and we are your partner for logistical support and delivery.



**WE SHAPE YOUR IDEAS AND SEE US AS A LONG-TERM PARTNER PROVIDING INDIVIDUAL SOLUTIONS. PLEASE CONTACT US, WE ARE HERE TO HELP.**

# WE OFFER COMPLETE SOLUTIONS.

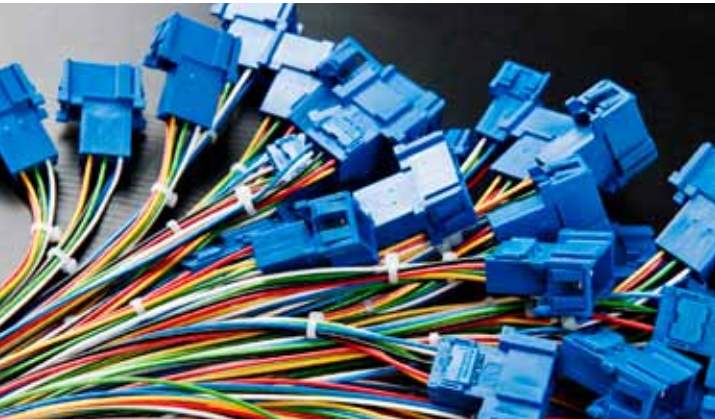
**WE** provides the following core competencies:

- Plastic injection molding
- Tool manufacturing
- Assembly
- Cable assembly
- PCB assembly
- Ultrasonic welding, hot plate welding, pad printing

We see ourselves as your individual provider of complete solutions for the entire manufacturing process. From the development of a prototype to serial production, we offer all solutions.

---

**● WE ARE CONSTANTLY DEVELOPING OUR SERVICES WITH  
A FOCUS ON FUTURE INDUSTRY-SPECIFIC SOLUTIONS**







## SPECIALIZATION

We are expanding our services and provide specialization in the following area:

- Module assembly of all kind
- Assembly and packaging of kinematic systems
- Expertise in surface finishing
- Storage capacity for your products

**OUR OPTIMIZED FULL-SERVICE PACKAGE GUARANTEES SMOOTH PROCESSING OF YOUR ORDER.**



## QUALITY SPECIALIZATION

# KHL

KHL Interior GmbH

We offer progressive design solutions for interior materials in the premium segment.

- Our technology provides lamination and finishes for the automotive industry
- We develop new approaches in interior design and ambiance for the following industries: commercial vehicles, bus, trailer, train and boat interiors
- Versatile use of quality materials according to customer specification
- We inspire with new ideas, individual solutions, extraordinary creativity and a readiness for innovation
- From low-volume to mass production

We are creating design solutions for the future and together with you we will develop new approaches to interior design, while individuality, quality and customized product solutions remain our priority. Today, we are known for our unmatched technology in the customized lamination of door panels, sliding roofs, parcel shelves, roll-up covers, insulation boards and side panels.

**VARIETY MEANS EXPRESSING INDIVIDUALITY. WE CREATE YOUR VERY OWN AMBIANCE.**

# WE FOCUS ON QUALITY.

A high vertical range of manufacture also requires a serious commitment to quality. At **WE** we live by this principle. We actively seek to educate and qualify our employees. This principle is in sync with the high technical standards that we offer to our customers.

- Quality Management System DIN EN ISO 9001:2008
- Selected suppliers and partners providing quality, reliability, price and performance



- OUR WILLINGNESS TO EMBRACE INNOVATION INCLUDES AN ENVIRONMENTALLY ORIENTED APPROACH AND THE DEVELOPMENT OF NEW IDEAS.

# WE THINK AHEAD – OUR VISION.

This is what we stand for today. But what more can we stand for tomorrow? We have deliberately asked ourselves this question and see this task as a mission and vision at the same time. We want to grow together with our customers and are already working on the solutions of tomorrow.

Our focus is squarely set on our customers' requirements, the development of trends and new product solutions, thus creating the basis for a successful cooperation with exciting approaches and ideas.

 **WE SHAPE YOUR IDEAS.**

